

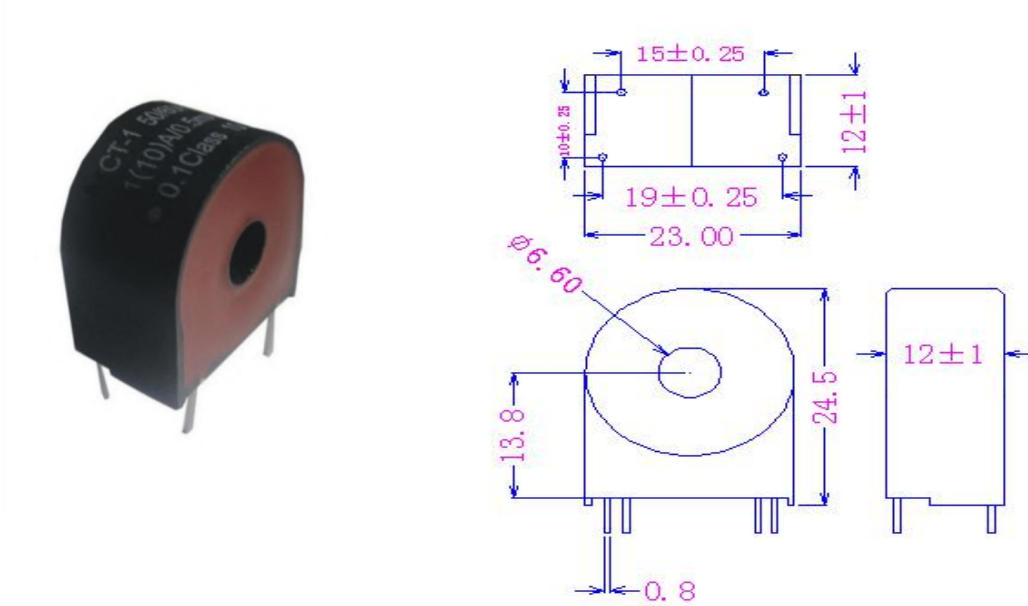
GUANGXI RAMWAY TECHNOLOGY CO., LTD

Product name: CT-1 Miniature current transformer

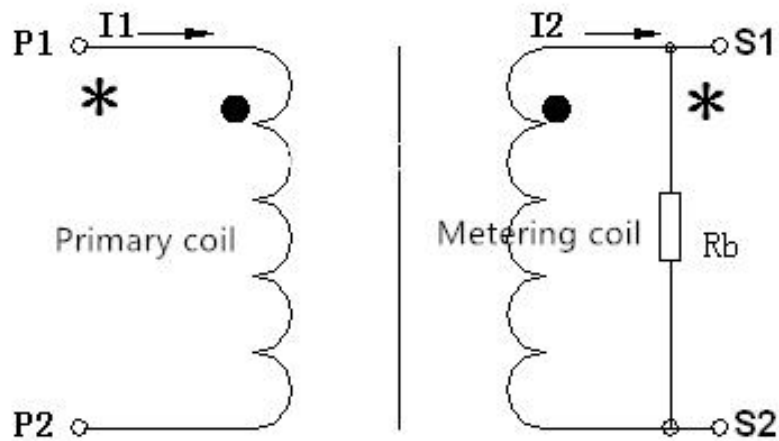
Product specifications: 1 (20) A/0.5mA USD \$ 0.57/PC

Dimensions

Unit: mm



Transformer schematic



Nominal Primary Current		Secondary Current	Accuracy Class	Rated load	Operating temperature	Relative humidity (25°C)	Rated current ratio
(I_n)	(I_{max})						
1A	20A	0.5mA	0.1class	10Ω	-40~85°C	≤95%	1:2000

Ratio & Phase test

Accuracy Class	Current ± (%)		Phase ± (′)					
	1Ib	5Ib-Imax	1Ib	5Ib	20Ib	100Ib	120Ib	Imax
0.1	0.2	0.1	15	8	8	8	8	5

Sample testing

Accuracy Class	Ratio ± (%)	Phase ± (′)
0.02	0.02	2
0.05	0.02	4
0.1	0.5	8
0.2	0.1	10

Remark: 0.05 Ib~Imax